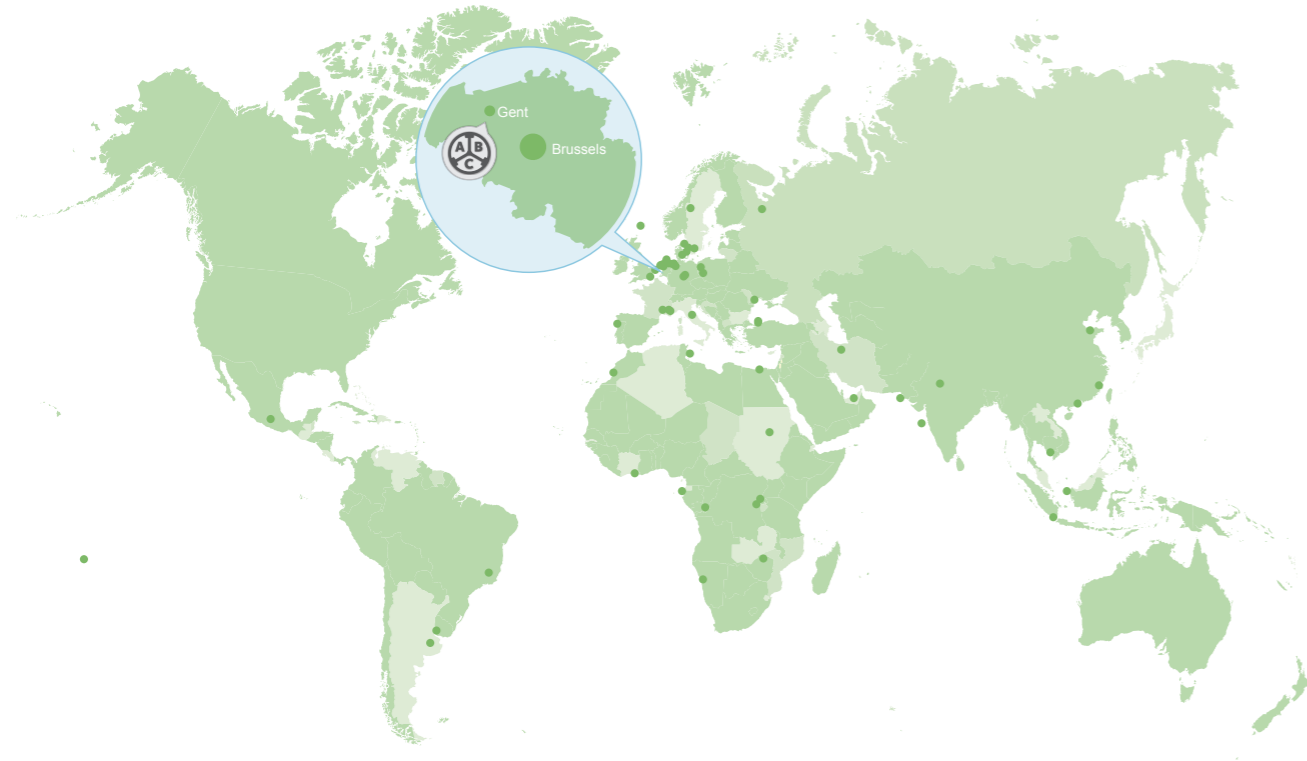


Service- and sales support worldwide



Africa	America	Asia	Europe	Oceania
12 Sales	3 Sales	11 Sales	32 Sales	1 Sales
11 Service	2 Service	8 Service	33 Service	1 Service

To find out more detailed information about our service and sales support, please visit our website www.abc-engines.com



Contact details

Anglo Belgian Corporation
Wiedauwkaai 43
9000 Ghent (Be)

T +32 (0)9 267 00 00

F +32 (0)9 267 00 67

E info@abc-engines.com

www.abc-engines.com

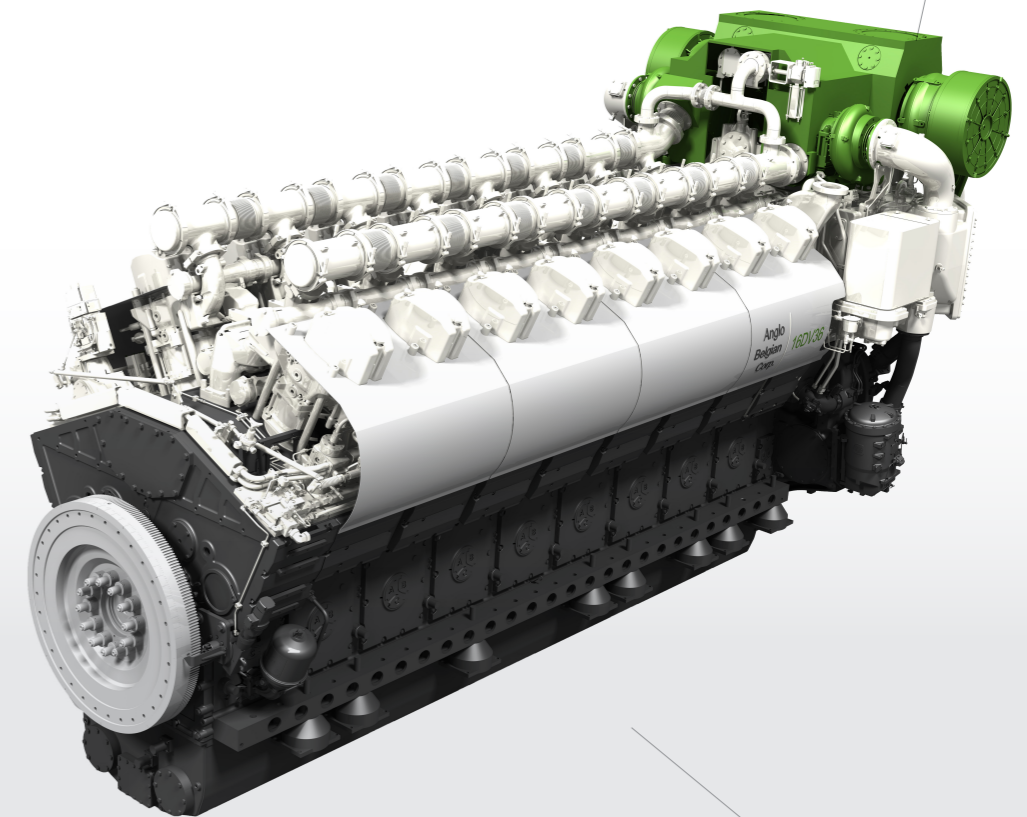
Member of the **Ogepar group**

All data provided in this document is non-binding. This data serves informational purposes only and is especially not guaranteed in any way. Depending on the subsequent specific individual projects, the relevant data may be subject to changes and will be assessed and determined individually for each project. This will depend on the particular characteristics of each individual project, especially specific site and operational conditions.



We power your future

Datasheet



Engine type

12/16DV36

Datasheet ABC diesel engines type DV36

Operational circumstances based on ISO-conditions (ISO 3046-I).

ABC reserves the right to alter the technical data without prior notice.

Definition

DV36: Medium speed engine, turbocharged & intercooled, available in Anti-clock and Clock rotation.

Runs on diesel, heavy fuel and bio-fuels.

Basic data

Cycle	4 stroke, single acting
Cylinders	12-16 in V
Bore	365 mm
Stroke	420 mm
Swept volume	12 cylinders: 527,4 liters 16 cylinders: 703,1 liters
Compression ratio	15,5 : 1
Injection	Direct, mechanical, one pump per cylinder
Brake mean effective pressure	24,0 bar
Piston speed	10,5 m/s (at 750 rpm)
Charging system	2 stage charging

Emission

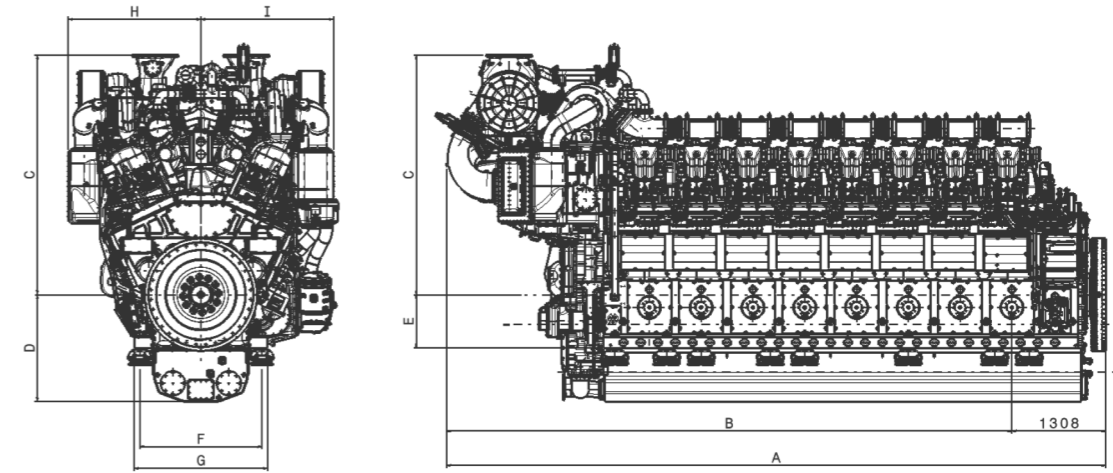
Comply with all environmental requirements, such as IMO TIER 2 / TIER 3.

Power

Engine type	rpm	Engine power (ISO 3046 - I)		Nominal power of gensets DV36			
		kW	HP	50 Hz electric - 3 phase		60 Hz electric - 3 phase	
				P _w (kW)	P _n (kVA)	P _w (kW)	P _n (kVA)
12 DV36-600	600	6328 *	8604	6075	7594	6075	7594
12 DV36-720	720	7594 *	10325	---	---	7290	9113
12 DV36-750	750	7910 *	10755	7594	9493	---	---
16 DV36-600	600	8438 *	11472	8100	10125	8100	10125
16 DV36-720	720	10125 *	13766	---	---	9720	12150
16 DV36-750	750	10547 *	14340	10125	12656	---	---

* Higher power ranges are available for emergency genset applications.

Conversion factors used: 1 metric HP = 0,736 kW → Generator efficiency: $\eta_g = 0,96$ → Power factor: $\cos \varphi = 0,8$



12/16DV36 engine

	A (mm)	B (mm)	C (mm)	D (mm)	E (mm)	F (mm)	G (mm)	H (mm)	I (mm)	Dry mass* (kg)
12DV36	7746	6439	3343	1490	745	1705	1860	1850	1850	90500
16DV36	9190	7883	3343	1490	745	1705	1860	1850	1850	108000

* Flywheel, vibration damper and coolers are included

12/16DV36 genset*

	A (mm)	B (mm)	C (mm)	D (mm)	E (mm)	F (mm)	G (mm)	Dry mass* (kg)
12DV36	12122	3343	2270	2026	1918	1853	3343	145500
16DV36	13566	3343	2270	2026	1918	1853	3343	163000

* Genset total mass depending on generator type and size

About classification

Anglo Belgian Corporation is ISO9001:2015 certified. All engines are individually tested on test benches and possibility of all major classifications.

